

DISCOVER SERIES

480-L06 | 480-T09

PRODUCT MANUAL

TABLE OF CONTENTS

INTRODUCTION

Discover Reference Guide	3
Physical Characteristics & Warnings	4

BATTERY

Battery Installation	5
Reassembling the Battery Pack	5

OPERATION

Operational Modes	6
Battery Life	6

MAINTENANCE	6
--------------------	---

INSTALLING STRAPS

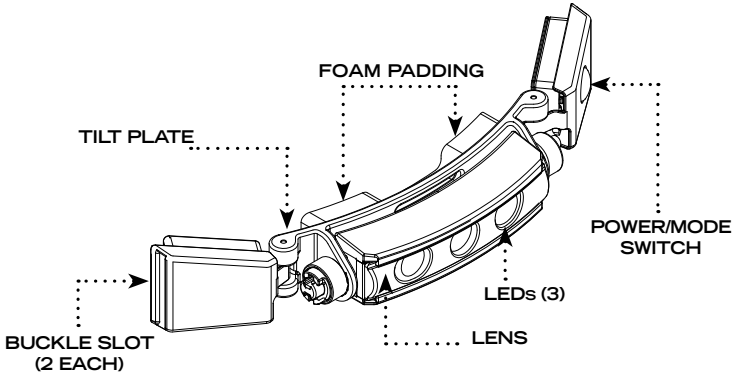
Elastic Strap	7
Silicone Strap	8

WARRANTY	9-10
-----------------	------

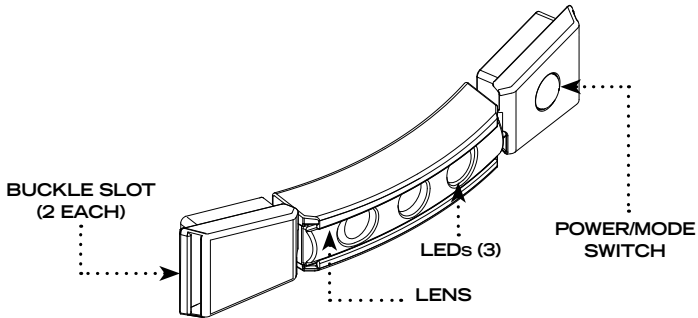
CONTACT FOXFURY	10
------------------------	----

DISCOVER REFERENCE GUIDE

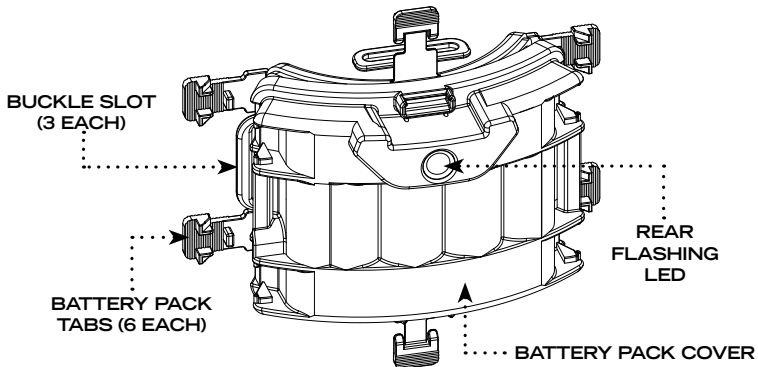
DISCOVER TILT LIGHT HEAD (P/N 480-T09)



DISCOVER LO•PRO LIGHT HEAD (P/N 480-L06)



DISCOVER BATTERY PACK



PHYSICAL CHARACTERISTICS

Please read below before using your Discover headlamp as it relays beneficial operating and safety information.

P/N	NAME	WEIGHT	DIMENSIONS (L x W x H)
480-L06	Discover LoPro	8.8 oz (249 g) without battery	5.4 x 0.7 x 0.6 in (137 x 18 x 15 mm)
480-T09	Discover Tilt	12 oz (340 g) with battery	6.3 x 0.9 x 0.7 in (160 x 23 x 18 mm)

WARNINGS



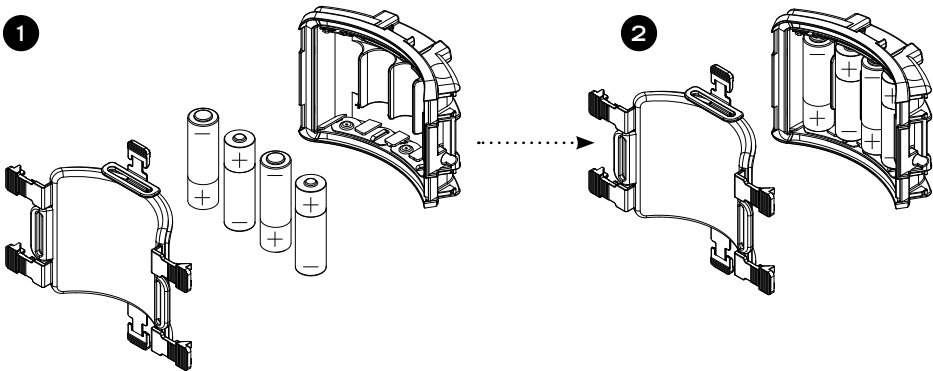
Do not stare into LEDs for long periods of time or from a close range (less than 2 ft / 0.6 m).

BATTERY

- ❖ The Discover Series requires four (4) AA batteries. Acceptable battery types include: Alkaline or rechargeable Alkaline, rechargeable NiMH or LiFeS₂ (all are 1.2 to 1.6 volts each).
- ❖ Do not leave batteries in the Battery Pack for periods longer than three (3) months without use.
- ❖ Be sure to check the Battery Pack every month for battery corrosion.
NOTE: Corrosion from leaking batteries is **NOT** covered by the warranty.

NOTE: Mixing of new and used, or different brand batteries is not recommended as this could lead to leakage or explosion.

BATTERY INSTALLATION



- 1 Open all six (6) Battery Pack Tabs.
- 2 Insert four (4) AA batteries. Reference the plus (+) and minus (-) symbols located on the inside of the Battery Pack for proper installation.

REASSEMBLING THE BATTERY PACK

- 1 Once batteries are installed, test the light's performance by activating the Power/Mode Switch located on the top of the light.
- 2 Secure the Battery Pack Cover by snapping all six (6) Battery Pack Tabs. A 'click' should be heard as the snaps are shut.

❖ NOTE: Make sure the Battery Pack is properly closed to maintain a water tight seal.

OPERATIONAL MODES

- ❖ ON/LOW mode: Press the Power/Mode switch once. All 3 LEDs will turn on.
- ❖ HIGH mode: From LOW mode, press the Power/Mode Switch once. All 3 LEDs will increase in brightness.
- ❖ OFF: From HIGH mode, press the Power/Mode switch once.

NOTE: When ON (for all modes), the rear LED (located on Battery Pack) will flash.

DISCOVER TILT & LO•PRO BATTERY LIFE

MODE	BATTERY LIFE	LUMENS
HIGH	5 hours	300
LOW	12 hours	100

*Battery life may vary according to mode selected, battery quality & type, and prevailing ambient conditions.

MAINTENANCE

BATTERY CORROSION

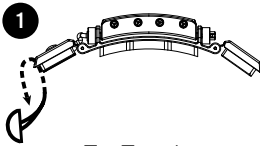
Battery leakage may cause corrosion to build inside the Battery Pack, causing the light not to function properly. In case of corrosion, please follow the suggested steps below:

- 1 Remove the batteries from the Battery Pack.
- 2 Make a mixture of 50% vinegar and 50% water. Then, pour the mixture into the Battery Pack and let it soak for five (5) minutes.
- 3 Drain the mixture from the inside the Battery Pack. Dry the inside of the Battery Pack (make sure no liquid residue is left inside Battery Pack).
- 4 Re-install all four (4) batteries. Test the light's performance.
- 5 Secure the Battery Pack Cover by snapping all six (6) Battery Pack Tabs.

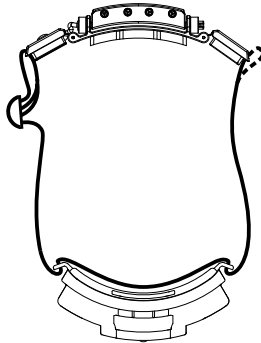
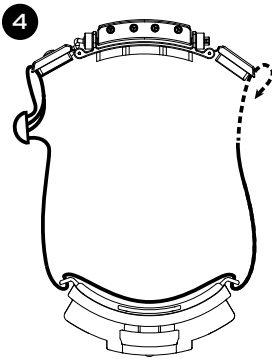
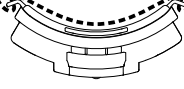
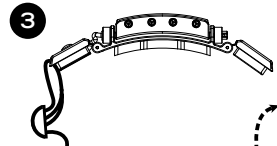
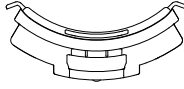
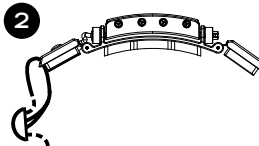
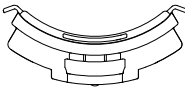
NOTE: Corrosion from leaking batteries is **NOT** covered by the warranty.

INSTALLING THE ELASTIC STRAP | 5 MINS (APPROX)

(WATCH THE VIDEO: www.foxfury.com/foxfury-videos/#h-helmet-headlamp-lights)



FoxFury logo
on strap should
face inward for
STEP 1

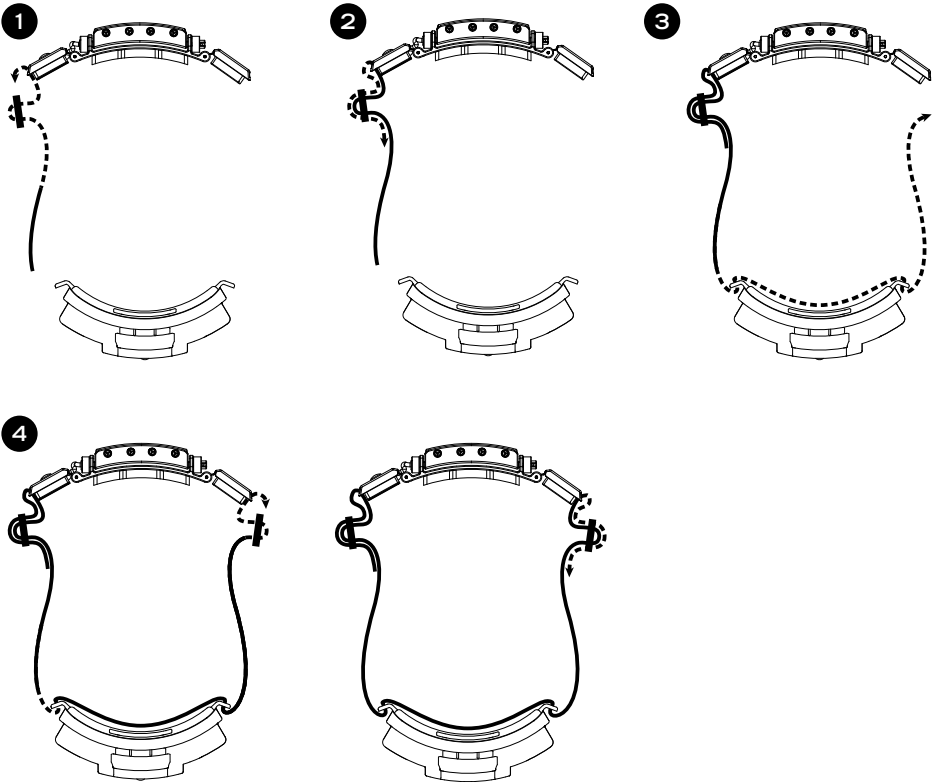


Place the headlamp on a flat surface. Position the Light Head so the Power/ Mode Switch is on the left and the LEDs face forward. NOTE: Make sure the FoxFury logo on the Battery Pack is correctly oriented before beginning.

- 1** Begin with the end of the strap that does not have the Buckle attached. With the FoxFury logo side of the strap facing right, feed the strap through the left Buckle Slot of the Light Head.
- 2** Run the free side of the strap back through the Buckle.
NOTE: The FoxFury logo on the strap will now be facing to the left.
- 3** Run the remaining bit of strap through the left Buckle Slot on the Battery Pack (on the cable side). Then continue through the Buckle Slot on the right side of the Battery Pack.
- 4** Continue to run the strap through the Buckle Slot on the right side of the Light Head. Firmly press the velcro together to finish installing the Strap. Adjust the Battery Pack position and strap length at the Buckle for the desired fit.

INSTALLING THE SILICONE STRAP | 5 MINS (APPROX)

(WATCH THE VIDEO: www.foxfury.com/foxfury-videos/#h-helmet-headlamp-lights)



Place the headlamp on a flat surface. Position the Light Head so the Power/ Mode Switch is on the left and the LEDs face forward. NOTE: Make sure the FoxFury logo on the Battery Pack is correctly oriented before beginning.

- 1** The Silicone Strap comes with two (2) buckles. Attach the first buckle onto one end of the strap, about six (6) inches from the end. Then, take that end of the strap and run it through (from the inside) the Buckle Slot on the left of the Light Head.
- 2** Once the strap is through the left Buckle Slot of the Light Head, feed the strap back through the Buckle.
- 3** Run the opposite end of the strap through the left Buckle Slot on the Battery Pack (on the cable side). Then continue through the Buckle Slot on the right side of the Battery Pack.
- 4** Repeat Steps 1-2 for the right side of the strap. Adjust the Battery Pack position and strap length at the Buckle for the desired fit.

WARRANTY AND OTHER INFORMATION

PRODUCT DURABILITY



Meets requirements of NFPA 1971-8.6 (2013) with silicone strap.

CARE/CLEANING

Your FoxFury product is a professional tool, but regular maintenance and care of your light will maximize performance for you. As needed, wash your FoxFury product using a soft washcloth, clean water and a mild soap. Be sure that both the Light Bar and Battery Pack are reassembled securely before washing. When done, pat dry with a damp cloth.

AVAILABLE ACCESSORIES

- ❖ Elastic Strap, P/N 60-019
- ❖ Silicone Glow Strap, P/N 600-026
- ❖ Silicone Black Strap, P/N 600-027
- ❖ Discover Replacement Lens, set of 2, P/N 60-120

WARNINGS

FoxFury, LLC is not responsible for the incorrect use of any FoxFury Lighting product.

- ❖ Lights are strong enough to cause damage to the human eye.

- ❖ Do not stare into LEDs for long periods of time or from a close range (less than 2 ft / 0.6 m).
- ❖ FoxFury, LLC is not responsible for any injury or damage caused during the use of this product.
- ❖ Usage of this product must be supervised by an adult when it is being used by a minor.
- ❖ Any FoxFury product should be operated at speeds safe enough to maneuver around surrounding obstacles.
- ❖ Do not use under the influence of drugs or alcohol.

LIMITED LIFETIME WARRANTY

FoxFury, LLC ("FoxFury") warrants this product to be free from defects in material for a lifetime of use except for batteries, LEDs, abuse, and normal wear. We will repair or replace this product should we determine it to be defective. This limited lifetime warranty excludes rechargeable batteries, chargers, switches, and electronics, which have a 2-year warranty with proof of purchase.

This limited lifetime warranty is given only to the original end user of the accompanying product. If you purchased a product from someone other than an authorized FoxFury reseller/distributor or if the product was used, (including but not limited to demo models, show models or refurbished product by someone

other than FoxFury) prior to your purchase, you are not the Original Purchaser and the product that you purchased is not covered by this warranty. This limited warranty is VOID if this Product has been altered or modified in any way (including but not limited to attempted warranty repair without authorization from Foxfury and/or alteration/removal of the serial number). To expedite warranty concerns, we encourage the end user to register their FoxFury Product at www.foxfury.com/pages/warranty-registration.

All FoxFury products are designed in Oceanside, CA. All FoxFury products are manufactured with the highest quality USA and foreign parts. Products are assembled in either FoxFury's controlled plant in Asia or the USA, under strict quality control.

THIS IS THE ONLY WARRANTY, EXPRESSED OR IMPLIED, INCLUDING ANY WARRANTY OF MERCHANTABILITY OR FITNESS FOR A PARTICULAR PURPOSE. INCIDENTAL, CONSEQUENTIAL OR SPECIAL DAMAGES ARE EXPRESSLY DISCLAIMED EXCEPT WHERE SUCH LIMITATION IS PROHIBITED BY LAW.

You may have other specific legal rights which vary by jurisdiction. Go to www.foxfury.com/pages/warranty for a complete copy of the warranty. Retain your receipt for proof of purchase.

CONTACT FOXFURY

FoxFury, LLC

Oceanside, CA 92056 USA

Toll-Free: 844-FOXFURY

Tel: 760.945.4231

Fax: 760.433.3650

Email: service@FoxFury.com

Web: FoxFury.com

