

TAKER B10

940K-010S

PRODUCT MANUAL

TABLE OF CONTENTS

INTRODUCTION

Taker B10 Reference Guide	3
Physical Characteristics & Warnings	4

BATTERY

Battery Installation and Replacement	5
Battery Life	5

OPERATION

Operational Modes	6
-------------------	---

ASSEMBLY

Assembling Mount to Clamp	6
Inserting/Removing from the Holder	7

FEATURES

Tilt	8
Multiple Lights on One Shield	8
Pressure Switch (Optional & Not Included)	8

INSTALLATION

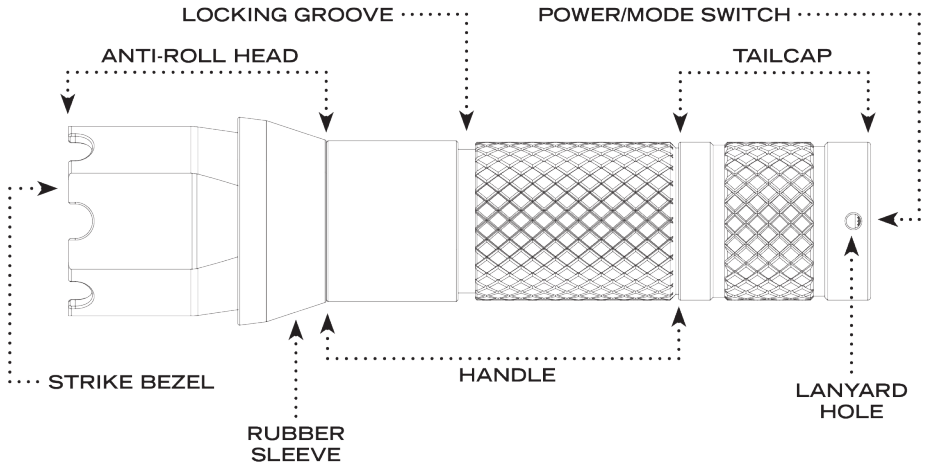
Shield Installation	9
---------------------	---

WARRANTY	10-11
-----------------	-------

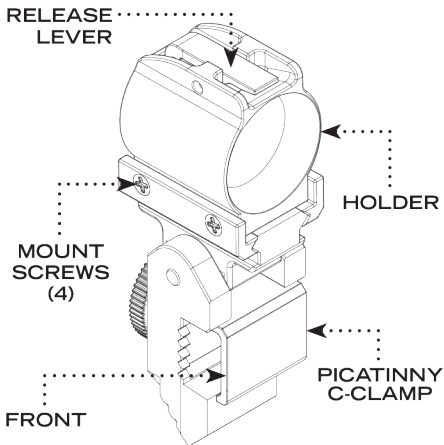
CONTACT FOXFURY	11
------------------------	----

TAKER B10 REFERENCE GUIDE

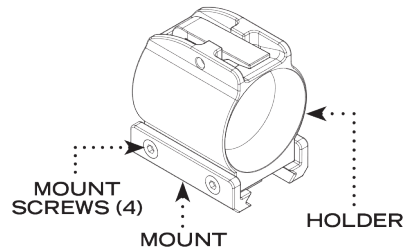
FLASHLIGHT



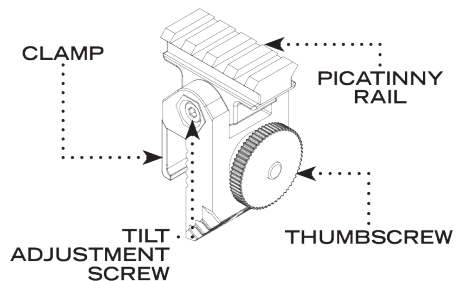
ASSEMBLED B10 (WITHOUT FLASHLIGHT)



PICATINNY MOUNT



PICATINNY C-CLAMP



PHYSICAL CHARACTERISTICS

Please read below before using your Taker B10 as it relays beneficial operating and safety information.

FLASHLIGHT

DIMENSIONS	5.5 x 1.3 x 1.1 in (140 x 33 x 28 mm)
WEIGHT (without battery)	5.3 oz (150 g)

PICATINNY MOUNT & C-CLAMP ASSEMBLED

DIMENSIONS	1.5 x 1.8 x 4.7 in (38 x 46 x 119 mm)
WEIGHT	7.5 oz (213 g)

WARNINGS





Do not stare into LEDs for long periods of time or from a close range (less than 2 ft/ 0.6 m).



FoxFury's Turbo-Strobe™ is purposely designed to induce disorientation. Prolonged viewing may produce vertigo or even vomiting.

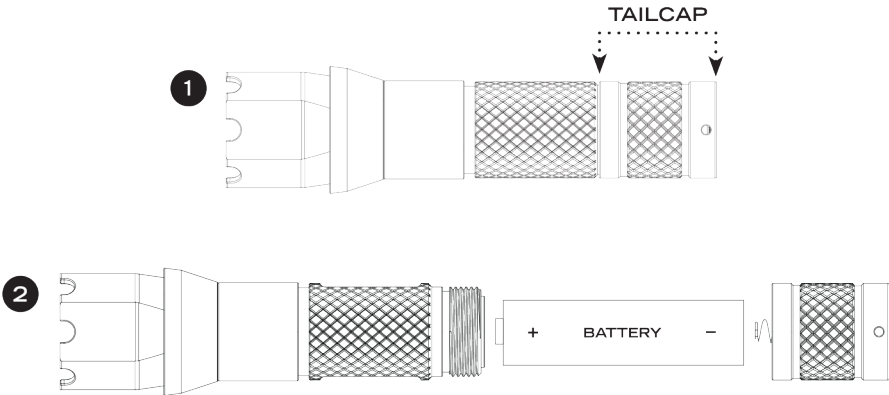
INCLUDED

-  SideSlide Picatinny Flashlight
-  Picatinny C-Clamp (P/N 85-013)
-  Picatinny Mount (P/N 85-012)
-  O-Ring Replacement, set of 2
-  Black On/ Off Button Replacement
-  Picatinny Hex Key, 2 mm
-  C-Clamp Hex Key, 3.5 mm
-  Silicone Strap Spacer

BATTERIES

- ❖ The Taker B10 flashlight requires one (1) 18650 battery or two (2) CR123 batteries.
- ❖ Mixing of new and used, or different brand batteries is not recommended as this could lead to leakage or explosion.

BATTERY INSTALLATION AND REPLACEMENT



- 1 Twist the Tailcap in a counter-clockwise direction to remove it.
- 2 Insert the battery with the positive end first. (Respect appropriate polarity when installing).
- 3 Reinstall the Tailcap by twisting it in a clockwise direction back onto the Handle. (Make sure the Tailcap is tightly sealed).
- 4 Test the light's performance and function by activating the Power/Mode Switch (located at the end of the Tailcap).

BATTERY LIFE

MODE	BATTERY LIFE	LUMENS
MOMENTARY	1.5 hours	490
CONTINUOUS ON LOW	4 hours	120
CONTINUOUS ON HIGH	1.5 hours	490
TURBO-STROBE™	4 hours	490

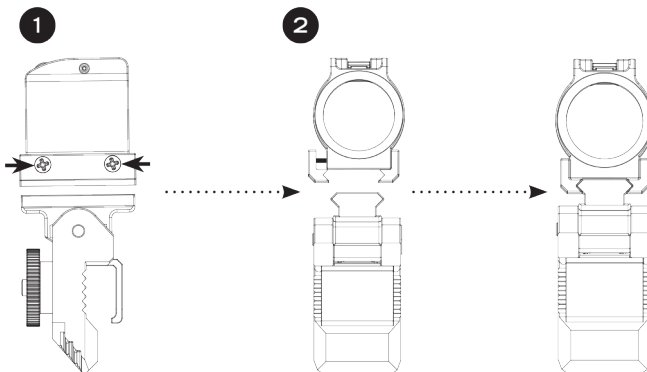
*Battery life may vary according to mode selected, battery quality and prevailing ambient conditions.

OPERATIONAL MODES

- ❖ For **MOMENTARY** mode: Press and hold the Power/Mode Switch. While the Switch is depressed, the flashlight will operate in **HIGH** mode. When the user removes pressure from the Switch, the light will turn **OFF**.
- ❖ For **HIGH** mode: Press the Power/Mode Switch two (2) times in rapid succession. The light will remain in **HIGH** mode.
- ❖ For **LOW** mode: While in **HIGH** mode, press and hold the Power/Mode Switch for two (2) seconds. The mode will change to a **LOW** setting.
- ❖ For **TURBO-STROBE™**: Press the Power/Mode Switch three (3) times in rapid succession.
- ❖ For **OFF** or **EXIT** a mode: Press the Power/Mode Switch once. Then, continue following the directions above to progress to desired mode.

NOTE: The light does not retain the mode in memory. Once you turn the flashlight **ON**, you will have to re-select the mode you desire.
The flashlight is easily securable and removable by using the Release Lever.

ASSEMBLING MOUNT TO CLAMP

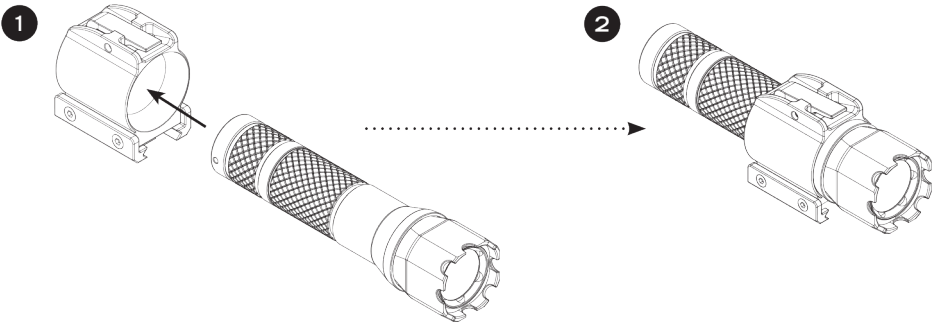


- 1** Begin with the Picatinny Mount. Using the provided 2 mm Hex Key, loosen **ONLY** two (2) of the Mount Screws (see “Taker B10 Reference Guide” on pg. 3 for location). **NOTE:** The Mount Screws do **NOT** need to be completely removed in order to mount.
- 2** Position either side of the Picatinny Mount onto the Picatinny C-Clamp. Then position the opposite side onto the Picatinny Rail. Then, re-tighten the two (2) Mount Screws that were loosened in Step 1.

INSERTING/REMOVING FROM THE HOLDER

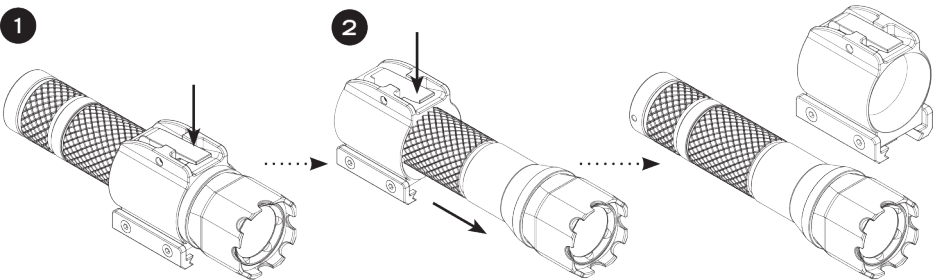
The flashlight is easily securable and removable by using the Release Lever.

TO INSERT THE FLASHLIGHT INTO THE HOLDER:



- 1 Insert the flashlight by pushing it into the beveled opening on the front of the Holder.
- 2 Once locked, the Release Lever falls into a groove on the handle, securing the flashlight in place.

TO REMOVE THE FLASHLIGHT FROM THE HOLDER:

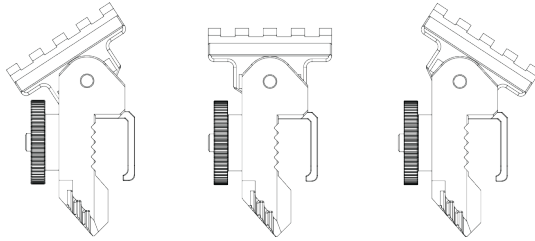


- 1 Press and hold the Release Lever.
- 2 While keeping the Release Lever pressed, pull flashlight out of the Holder.

FEATURES

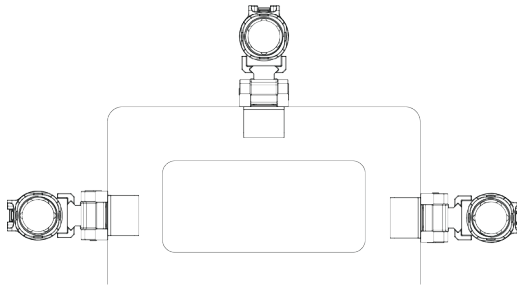
60° TILT

The Picatinny C-Clamp of the Taker B10 can tilt 30° (60° total) on both sides. This makes it easier to choose direction of light.



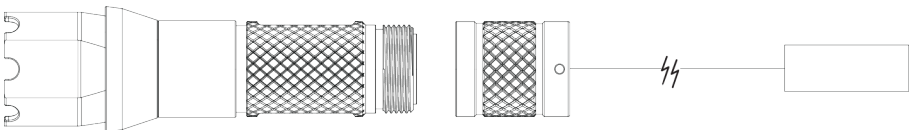
MULTIPLE LIGHTS ON ONE SHIELD

Multiple Taker B10's can be mounted to one shield to disorient rioters.

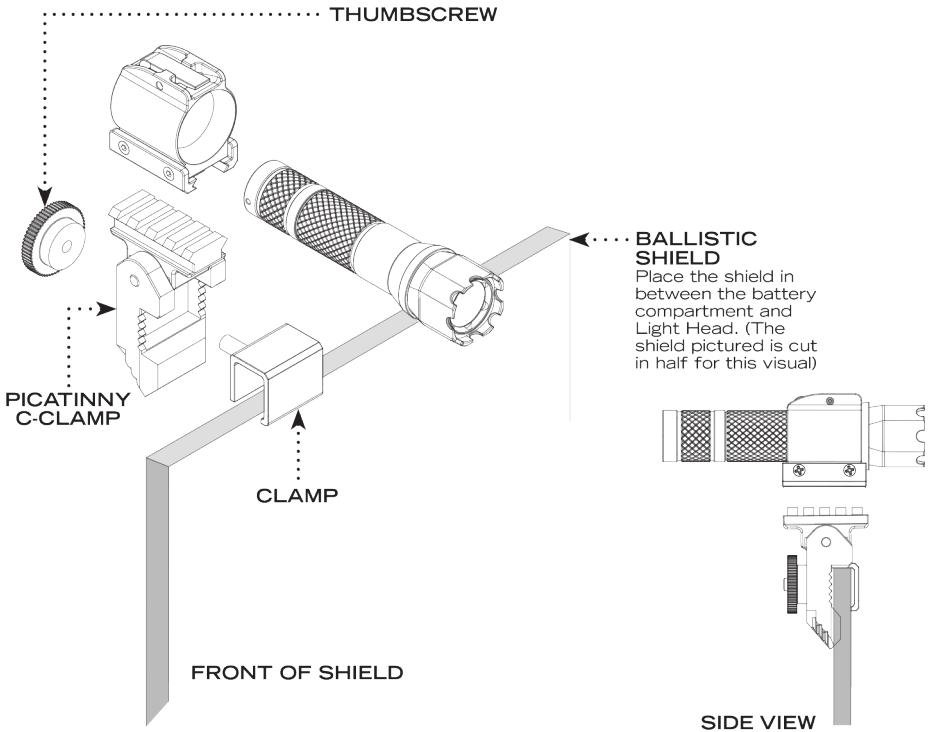


PRESSURE SWITCH (OPTIONAL & NOT INCLUDED)

The Taker B10 has an optional Pressure Switch that allows the user to place it anywhere on the shield. This makes it easier to access the Power/Mode Switch. The Pressure Switch can easily be attached by twisting the Tailcap in a counter-clockwise direction to remove it, and replacing it with the Pressure Switch.



INSTALLING THE TAKER B10 ONTO A SHIELD



- 1 Loosen the Thumbscrew until the Clamp is free. Then place the Clamp anywhere along the edge of the shield (The provided Silicone Strap Spacer can also be used if required for a better fit).
- 2 Then align the Clamp and Thumbscrew to the Picatinny C-Clamp Body and tighten until the Clamp is locked securely in place.
- 3 To adjust the angle of the B10, use the provided Hex Key (3.5 mm) to loosen the Tilt Adjustment Screw (see "Taker B10 Reference Guide" on pg. 3 for location). Then adjust the angle of the Picatinny Mount to desired position. Re-tighten the Tilt Adjustment Screw to lock in the angle of Flashlight.

WARRANTY AND OTHER INFORMATION

PRODUCT DURABILITY



Meets NFPA 1971 Guidelines and can sustain exposure to 500°F (260°C) for 30 minutes

CARE/CLEANING

Your FoxFury product is a professional tool, but regular maintenance and care of your light will maximize performance for you. As needed, wash your FoxFury product using a soft washcloth, clean water and a mild soap. Be sure that the flashlight's Tailcap is SEALED before washing. When done, pat dry with a damp cloth.

AVAILABLE ACCESSORIES

- ❖ SideSlide C-Clamp Adaptor
P/N 85-010
- ❖ SideSlide Picatinny Adaptor
P/N 85-012
- ❖ SideSlide Flashlight ONLY
P/N 940-012
- ❖ SideSlide Picatinny Pressure
Switch Cap, P/N 50-150

WARNINGS

FoxFury, LLC is not responsible for the incorrect use of any FoxFury Lighting product.

- ❖ Lights are strong enough to cause damage to the human eye.
- ❖ Do not stare into LEDs for long periods of time or from a close range (less than 2 ft).

- ❖ FoxFury, LLC is not responsible for any injury or damage caused during the use of this product.
- ❖ Usage of this product must be supervised by an adult when it is being used by a minor.
- ❖ Any FoxFury product should be operated at speeds safe enough to maneuver around surrounding obstacles.
- ❖ Do not use under the influence of drugs or alcohol.

LIMITED LIFETIME WARRANTY

FoxFury, LLC ("FoxFury") warrants this product to be free from defects in material for a lifetime of use except for batteries, LEDs, abuse, and normal wear. We will repair or replace this product should we determine it to be defective. This limited lifetime warranty excludes rechargeable batteries, chargers, switches, and electronics, which have a 2-year warranty with proof of purchase.

This limited lifetime warranty is given only to the original end user of the accompanying product. If you purchased a product from someone other than an authorized FoxFury reseller/distributor or if the product was used, (including but not limited to demo models, show models or refurbished product by someone other than FoxFury) prior to your purchase, you are not the Original Purchaser and the product that you purchased is not covered by this warranty. This limited warranty is

VOID if this Product has been altered or modified in any way (including but not limited to attempted warranty repair without authorization from FoxFury and/or alteration/removal of the serial number). To expedite warranty concerns, we encourage the end user to register their FoxFury Product at www.foxfury.com/pages/warranty-registration.

THIS IS THE ONLY WARRANTY, EXPRESSED OR IMPLIED, INCLUDING ANY WARRANTY OF MERCHANTABILITY OR FITNESS FOR A PARTICULAR PURPOSE. INCIDENTAL, CONSEQUENTIAL OR SPECIAL DAMAGES ARE EXPRESSLY DISCLAIMED EXCEPT WHERE SUCH LIMITATION IS PROHIBITED BY LAW.

You may have other specific legal rights which vary by jurisdiction. Go to www.foxfury.com/pages/warranty for a complete copy of the warranty. Retain your receipt for proof of purchase.

CONTACT FOXFURY

FoxFury, LLC

Oceanside, CA 92056 USA

Toll-Free: 844-FOXFURY

Tel: 760.945.4231

Fax: 760.433.3650

Email: service@FoxFury.com

Web: FoxFury.com

All FoxFury products are designed in Oceanside, CA. All FoxFury products are manufactured with the highest quality USA and foreign parts. Products are assembled in either FoxFury's controlled plant in Asia or the USA, under strict quality control.

CALIFORNIA PROPOSITION 65

This product can expose you to chemicals including Lead and DEHP, which are known to the State of California to cause cancer and birth defects or other reproductive harm. For more information go to www.P65Warnings.ca.gov.

