

NOMAD[®] N32 & N56

200-4N32 | 200-4N56

PRODUCT MANUAL

TABLE OF CONTENTS

INTRODUCTION

Reference Guide	3
Overview	4
Physical Characteristics	4

BATTERY PACK

Charging the Battery Pack	5
Charging from a 12VDC Vehicle Adaptor	5
Charge Indicator	5

OPERATIONAL MODES

AC - DC Adaptor and International Use	6
Operational Modes	6
Battery Life	7
Battery Life Indicator	7
Using the Nomad® while Plugged in	7

FEATURES

Swiveling Light Head	8
Sliding Diffuser Lens	8
Remote Key Fob Use	9

MOUNTING THE NOMAD®

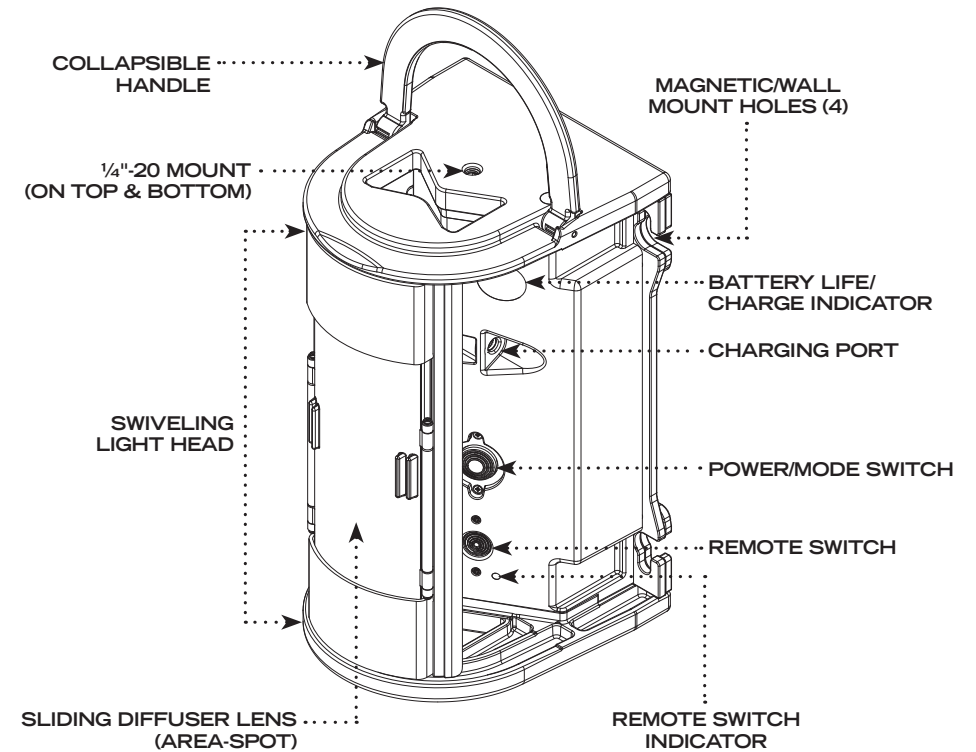
Magnetic Mount	10
Stacking	10

ACCESSORIES (NOT INCLUDED)

Horizontal Right Angle Mount	10
Utility Mount	11
Wall Mount Kit	11
Tripo-Scope® M1, Tripod and FoxFury Puck Adaptor	11

MAINTENANCE	12-14
WARRANTY	15-16
CONTACT FOXFURY	16

NOMAD® REFERENCE GUIDE



ALSO INCLUDED

- ▣ Remote Key Fob
- ▣ 12VDC Vehicle Adaptor
- ▣ Magnetic Mount
- ▣ Small FoxFury Duffel Bag
- ▣ AC-DC Adaptor
- ▣ All Thread 1/4"-20 Screw
- ▣ AC Cable

OVERVIEW

The Nomad® N32 & N56 deliver studio quality lighting outside of the studio. Models can be magnet and tripod mounted and feature a rechargeable Li-ion Battery Pack providing 3–24 hours of light. They shine bright in any weather and can even be fully submerged. The N32 delivers up to 2,400 lumens of 3,200 Kelvin (tungsten) light with a high CRI of 95 for precise color rendering. The N56 delivers up to 2,700 lumens with a color temperature of 5,600 Kelvin (daylight) with a high CRI of 95 for precise color rendering.

IMPORTANT!

Please fully charge the battery before using the Nomad® for the first time.

PHYSICAL CHARACTERISTICS

Please read below before using your Nomad® as it relays beneficial operating and safety information.

NOMAD® N32 & N56

DIMENSIONS	8.7 x 5.3 x 4.3 in (221 x 135 x 109 mm)
WEIGHT	4.5 lbs (2 kg)

WARNINGS



When used for extended periods of time the Nomad® Light Head will become HOT to the touch. Please use care when operating.



Do not stare into LEDs for long periods of time or from a close range (less than 2 ft).



Be sure to rinse the Nomad® with fresh water immediately after use in the ocean or a pool.

CHARGING THE BATTERY PACK

1. Start with the AC Cable. Connect it to the AC - DC Adaptor.
 - ❖ The AC Cable is Universal to NEMA 5-15P, 3 prong for USA and will work with a power range of 100VAC–240VAC 50/60 Hz.
2. Then, plug the Barrel Connector (part of the AC-DC Adaptor) into the Charging Port of the Nomad®.
 - ❖ Input voltage: 11–17VDC. Do NOT exceed!
 - ❖ The Nomad® is shipped with a 30% charge. It is important to charge it before using it for the first time.
 - ❖ When the Charge Indicator FLASHES green it indicates that the Battery Pack is being charged. When the Nomad® is completely charged, the Charge Indicator will turn solid green.
 - ❖ Charging time will be approximately 4 hours.

CHARGING FROM A 12VDC VEHICLE ADAPTOR

1. Insert the 12VDC Vehicle Adaptor into a 12V socket (located within the vehicle).
2. Then, insert the opposite end (Barrel Connector) into the Charging Port of the Nomad®.

NOTE: Do NOT start vehicle while the Nomad® is being charged or when using while plugged in.

CHARGE INDICATOR (FOR LOCATION, PLEASE REFERENCE PAGE 3)

COLOR	DESCRIPTION
GREEN (SOLID)	FULLY CHARGED
GREEN (FLASHING)	CHARGING
RED (SOLID)	CHARGING ERROR

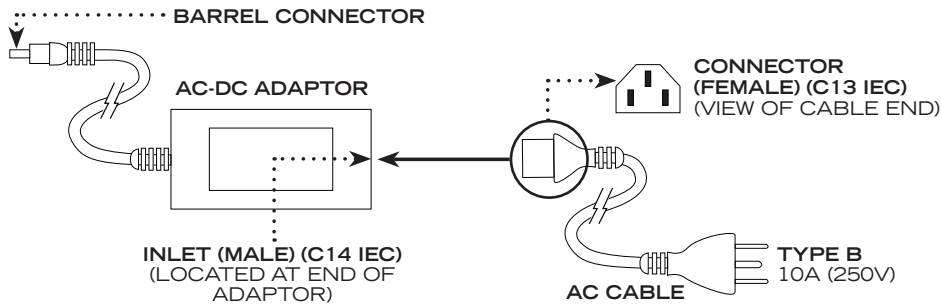
*If a charging error occurs, please contact FoxFury Customer Service (see pg. 16).

WARNINGS:

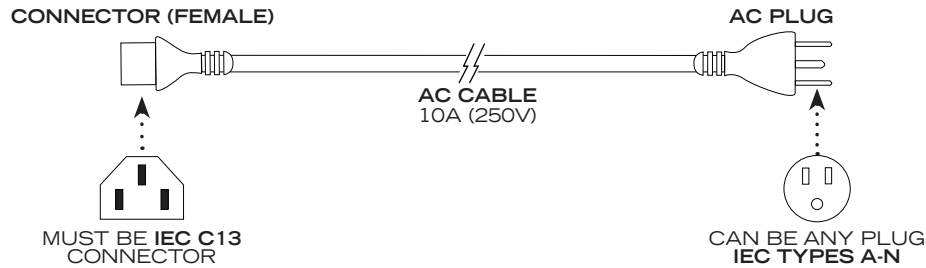
- Please DO NOT leave AC-DC Adaptor plugged in for more than eight (8) continuous hours.
- Continuously charging (leaving the unit plugged in) could damage the Battery Pack and lead to a decreased battery life.
- Extended periods of charge could also result in the batteries being placed in thermal runaway mode.
- Use of any non FoxFury supplied AC-DC charger will Void Product Warranty.

AC-DC ADAPTOR AND INTERNATIONAL USE

The Nomad® Series has a AC - DC Adaptor which uses AC Cables like those used in desktop computers or monitors. With every Nomad®, FoxFury supplies a cable that terminates in the USA standard 110 VAC plug.



The plug of the AC Cable should be country specific. Example: IEC Types A-N. The Female Connector side of the AC Cable must be IEC Type C13 to mate with the Male Inlet of the AC-DC Adaptor.



OPERATIONAL MODES

- ❖ ON/LOW mode: Press the Power/Mode Switch once.
- ❖ MEDIUM mode: From LOW mode, press the Power/Mode Switch once.
- ❖ HIGH mode: From MEDIUM mode, press the Power/Mode Switch once.
- ❖ OFF: From HIGH mode, press the Power/Mode Switch once.

NOTE: The light does not retain the mode in memory. Once the light is ON, re-select the mode desired.

BATTERY LIFE

MODE	BATTERY LIFE	N32 LUMENS	N56 LUMENS
HIGH POWER	3 hrs	2,400	2,700
MEDIUM POWER	9 hrs	900	1,000
LOW POWER	24 hrs	400	400

*Battery Pack life may vary according to age and ambient conditions.

BATTERY LIFE INDICATOR

COLOR	DESCRIPTION
GREEN	FULL BATTERY
ORANGE	CAUTION—BATTERY IS GETTING LOW
RED (FLASHING)	CHARGE IMMEDIATELY

USING THE NOMAD® WHILE PLUGGED IN

The Nomad® can run for longer periods by plugging it into a power source.

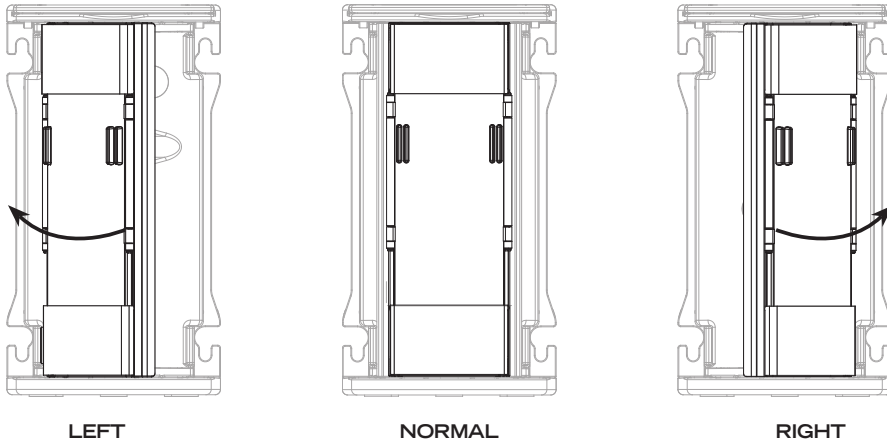
1. Start with the AC Cable. Connect it to the AC-DC Adaptor.
2. Then, plug the Barrel Connector (part of the AC-DC Adaptor) into the Charging Port of the Nomad®.
3. Press the Power/Mode Switch. The light will then turn ON.
 - ❖ The Nomad® must be turned OFF in order to charge the Battery Pack. If it is plugged in and the Nomad® is ON, the battery is NOT being charged.
 - ❖ As long as the unit is plugged into a power source, (even if it has a very low battery) the light can be turned ON.
 - ❖ Continuously charging (leaving the Nomad® plugged in) could damage the Battery Pack and also lead to decreased battery life.
 - ❖ Input voltage: 11–17VDC. Do NOT exceed!

NOTE: The Nomad® will NOT accept a 24VDC input.

FEATURES

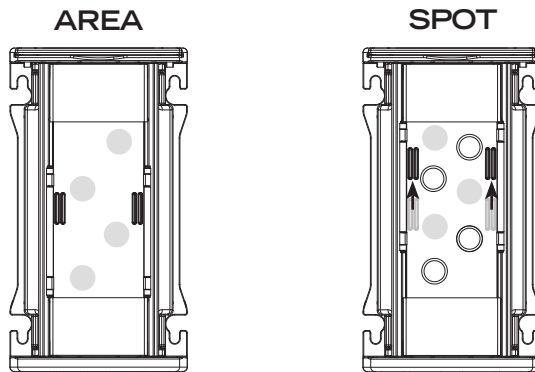
SWIVELING LIGHT HEAD

The Nomad® Light Head is able to swivel 45° to the left or right. This allows the light beam to be manually directed.



SLIDING DIFFUSER LENS

The Nomad® N32 & N56 provide two types of lights in one. To increase diffusion, slide the Diffuser Lens down (Area). To decrease diffusion, simply slide the Diffuser Lens up (Spot).



NOTE: The Sliding Diffuser Lens can be removed and cleaned. Please reference pg. 13 for instructions.

REMOTE KEY FOB USE

TO ACTIVATE THE REMOTE KEY FOB

- Press the Remote Switch on the light once and make sure the green indicator light is ON.

TO DEACTIVATE THE REMOTE KEY FOB

- Press the Remote Switch on the light once and make sure the green indicator light is OFF.

REMOTE KEY FOB FEATURES

- The Remote Key Fob functions at a maximum distance of 70 ft (21 m) (This is the maximum distance that multiple stacked units will operate in sync). *This distance was recorded without obstructions or interference, in ideal conditions.
- The Nomad® runs on one (1) 27A battery.
- The Remote Key Fob has the ability to cycle through the standard modes.
- Multiple Nomad® N32s or N56s share the same code, meaning that the included Remote Key Fob can be used for multiple Nomad® N32s or N56s.

NOTE: While the Remote Key Fob is active, the Power/Mode Switch also functions. You may use the switch on the Light Head and the Remote Key Fob simultaneously.

IMPORTANT!

Make sure to turn OFF the Remote Switch when not in use to prevent battery drain OR accidental activation.

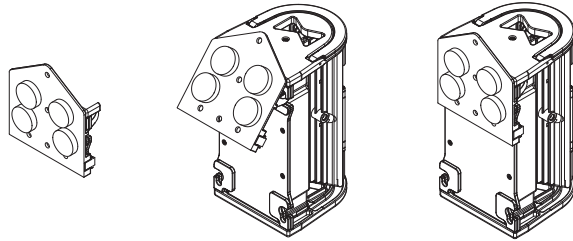
LOST REMOTE KEY FOBs

If the Remote Key Fob becomes lost, please contact FoxFury Customer Service (see pg. 16).

MOUNTING THE NOMAD®

MAGNETIC MOUNT

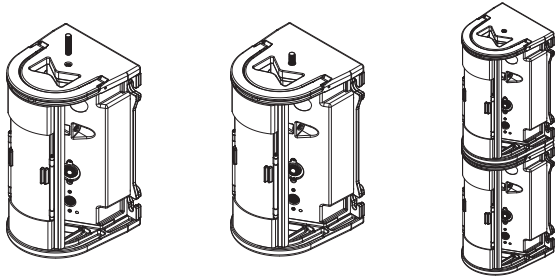
The Nomad® can also be mounted via the Magnetic Mount (included). This allows the light to be held vertically on a magnetic surface. The Nomad® and Magnetic Mount can be pulled and placed from one surface to another to fit your workspace and needs.



STACKING

The Nomad® can stack to other units via the ¼"-20 Threaded Screw (included). Thread the screw into either end of the light, then, twist and screw another Nomad onto the opposite end of that same Threaded Screw.

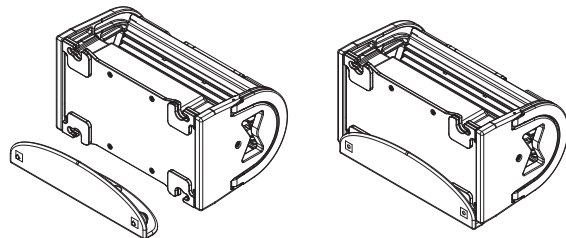
NOTE: Do not exceed three (3) Nomads.



ACCESSORIES (NOT INCLUDED)

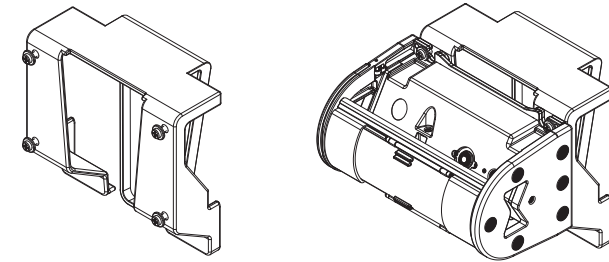
HORIZONTAL RIGHT ANGLE MOUNT

The Horizontal Right Angle Mount can be mounted to the Nomad® using two (2) bolts. This allows the light to be mounted horizontally to a tripod or any mount with a ¼"-20 screw providing the ability to direct light 45° up or down.



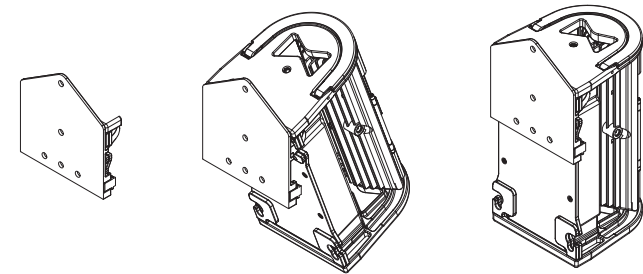
UTILITY MOUNT

The Nomad® Utility Mount allows the light to be mounted on utility vehicles with buckets or on trucks with tailgates. To prevent possible scratching of paint, it is recommended that a cloth be placed between the painted surface and the Utility Mount.



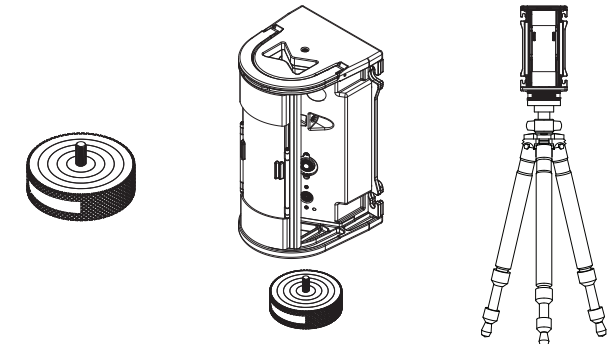
WALL MOUNT KIT

The Nomad® Wall Mount can be permanently mounted to a wall or surface by using the provided hardware.



TRIPO-SCOPE® M1, TRIPOD AND FOXFURY PUCK ADAPTOR

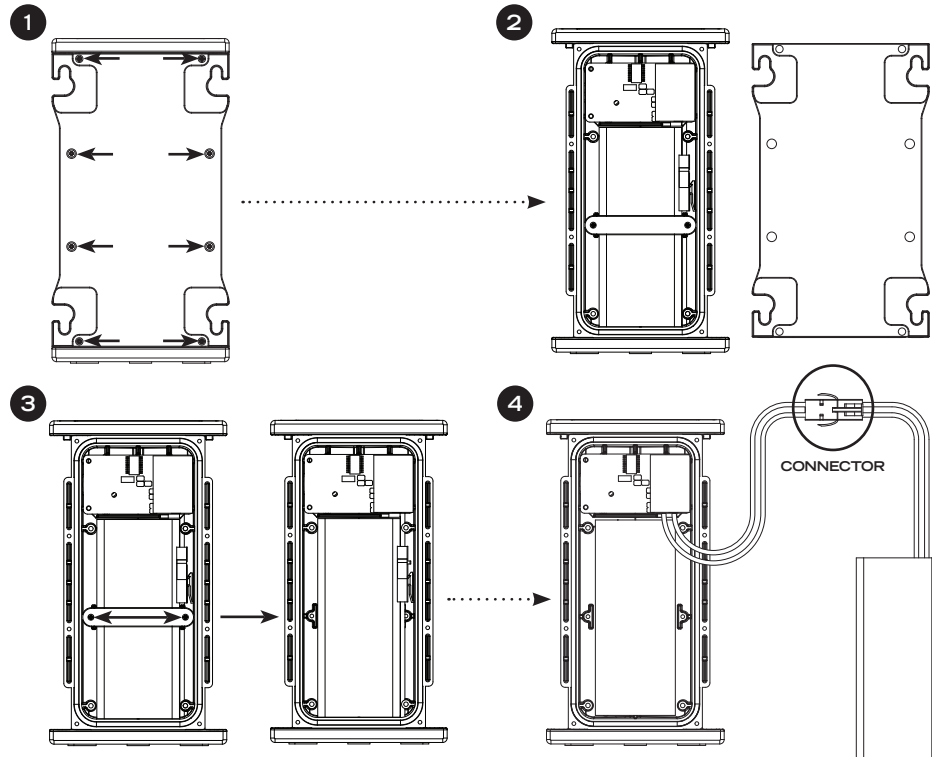
The Nomad® can be mounted to the FoxFury Tripo-Scope® M1, most professional tripods or to the FoxFury Puck Adaptor. Thread the hole of the Nomad® onto the ¼"-20 Threaded Screw of the tripod or Puck Adaptor. Then, twist the Nomad® onto the Puck Adaptor until it is securely fastened.



MAINTENANCE

REMOVING THE BATTERY PACK | 4 MINS (APPROX)

At the end of the Battery Packs's life (which is about 500+ full charges), the Battery Pack will stop holding a charge and will need replacing.



Make sure the Nomad® is turned OFF before starting.

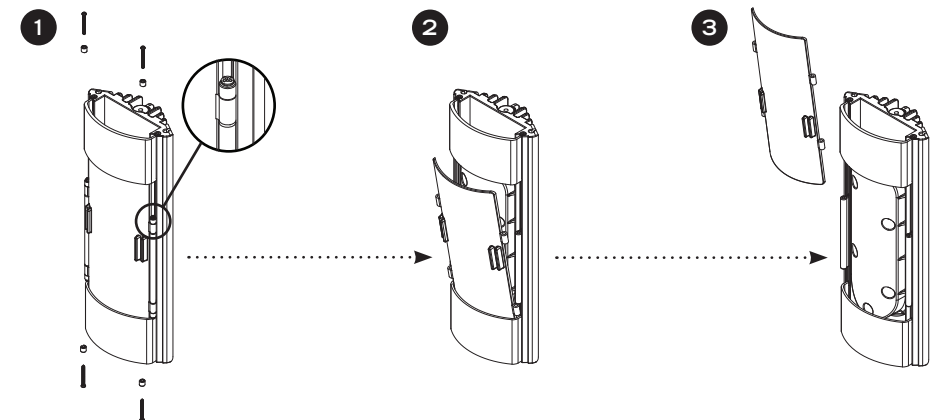
- 1** Begin with the back of the Nomad® facing you. Locate the eight (8) screws on the rear panel.
- 2** Use a Phillips Head (+) #1 screwdriver to unscrew and remove the eight (8) screws. Then, remove the rear panel.
- 3** Once the rear panel is removed, notice a black strap, which holds the Battery Pack in place. There is one (1) screw on each side of the strap. Remove both using the same Phillips Head screwdriver. This will then release the Battery Pack strap.
- 4** Pull the Battery Pack out of the Nomad® Body. Then, detach it from the light by unclipping the Connector.

REPLACING THE BATTERY PACK | 4 MINS (APPROX)

- 1** Attach the new Battery Pack to the light by re-clipping it the Connector. Then, place the new Battery Pack back inside the Nomad®.
- 2** Place the black strap over the Battery Pack. Then, re-insert and tighten the two (2) screws.
- 3** Place the rear panel back onto the Nomad®. Align as needed (it will only properly fit in one direction). Re-insert and tighten the eight (8) screws using a Phillips screwdriver.

NOTE: Remember to test the light's performance by activating the Power/ Mode Switch.

REMOVING THE SLIDING DIFFUSER LENS | 3 MINS (APPROX)



- 1** Slide the Sliding Diffuser Lens back into the 'Area' setting. Locate and remove the four (4) screws located on each side of it.
- 2** Then, tilt the Sliding Diffuser Lens forward.
- 3** Pull the Sliding Diffuser Lens out and free from the Light Head.

FOR RE-INSTALLATION: Repeat the steps above in reverse order.

WARRANTY AND OTHER INFORMATION

PRODUCT DURABILITY



CARE/CLEANING

Your FoxFury product is a professional tool. Regular maintenance and care of your light will maximize performance for you. As needed, wash your FoxFury product using a soft washcloth, clean water and a mild soap. Be sure that the Battery Pack is reassembled securely before washing. When done, pat dry with a damp cloth.

AVAILABLE ACCESSORIES

- ❖ Nomad® NOW AC Adaptor-DC Cord Set, P/N 600-120
- ❖ Nomad® NOW Battery Kit Replacement, P/N 600-200-400
- ❖ Nomad® Wall Mount Kit, P/N 85-044
- ❖ Nomad® NOW Horizontal Right Angle Mount, P/N 85-046
- ❖ Nomad® NOW Magnetic Mount, P/N 85-040
- ❖ Puck Adaptor, P/N 85-045
- ❖ Nomad® NOW Utility Mount, P/N 85-048
- ❖ Small FoxFury Duffel Bag, P/N 850-200-400
- ❖ Accessories Bag, P/N 600-250
- ❖ Remote Key Fob: Multi Activation, P/N 51-123
- ❖ Tripo-Scope® M1, P/N 650-100
- ❖ Sliding Diffuser Lens, P/N 51-011

WARNINGS

FoxFury, LLC is not responsible for the incorrect use of any FoxFury Lighting product.

- ❖ When used for extended periods of time the light will become HOT to the touch. Please use care when operating.
- ❖ Lights are strong enough to cause damage to the human eye.
- ❖ Do not stare into LEDs for long periods of time or from a close range (less than 2 ft).
- ❖ FoxFury, LLC is not responsible for any injury or damage caused during the use of this product.
- ❖ Usage of this product must be supervised by an adult when it is being used by a minor.
- ❖ Any FoxFury product should be operated at speeds safe enough to maneuver around surrounding obstacles.
- ❖ Do not use under the influence of drugs or alcohol.

LIMITED LIFETIME WARRANTY

FoxFury, LLC ("FoxFury") warrants this product to be free from defects in material for a lifetime of use except for batteries, LEDs, abuse, and normal wear. Mechanical components subjected to constant deformation or action, like springs and switches, and electronic components including chargers and LEDs are warranted for a period of two years from the time of purchase. FoxFury will repair or replace a product should it be determined defective.

Rechargeable batteries are

consumable items, and carry a prorated 2 year warranty. Example: If a problem arises after one year of use, only 50% of the replacement cost will be charged, as long as the batteries are verified to have been charged, stored, and used in accordance with required practices.

This limited lifetime warranty is given only to the original end user of the accompanying product. If you purchased a product from someone other than an authorized FoxFury reseller/distributor or if the product was used, (including but not limited to demo models, show models or refurbished product by someone other than FoxFury) prior to your purchase, you are not the Original Purchaser and the product that you purchased is not covered by this warranty. This limited warranty is VOID if this Product has been altered or modified in any way (including but not limited to attempted warranty repair without authorization from FoxFury and/or alteration/removal of the serial number). To expedite warranty concerns, we encourage the end user to register their FoxFury Product at www.foxfury.com/pages/warranty-registration.

THIS IS THE ONLY WARRANTY, EXPRESSED OR IMPLIED, INCLUDING ANY WARRANTY OF MERCHANTABILITY OR FITNESS FOR A PARTICULAR PURPOSE. INCIDENTAL, CONSEQUENTIAL OR SPECIAL DAMAGES ARE EXPRESSLY DISCLAIMED EXCEPT WHERE SUCH LIMITATION IS PROHIBITED BY LAW.

You may have other specific legal rights which vary by jurisdiction. Go

to www.foxfury.com/pages/warranty for a complete copy of the warranty. Retain your receipt for proof of purchase.

CONTACT FOXFURY

FoxFury, LLC
Oceanside, CA 92056 USA
Toll-Free: 844-FOXFURY
Tel: 760.945.4231
Fax: 760.433.3650
Email: service@FoxFury.com
Web: FoxFury.com

All FoxFury products are designed in Oceanside, CA. All FoxFury products are manufactured with the highest quality USA and foreign parts. Products are assembled in either FoxFury's controlled plant in Asia or the USA, under strict quality control.

CALIFORNIA PROPOSITION 65

This product can expose you to chemicals including Lead and DEHP, which are known to the State of California to cause cancer and birth defects or other reproductive harm. For more information go to www.P65Warnings.ca.gov.

