

TAKER B50

500-331-G

PRODUCT MANUAL

TABLE OF CONTENTS

INTRODUCTION

Taker B50 Reference Guide	3
Physical Characteristics & Warnings	4

BATTERY

Battery Installation and Replacement	5
Reassembling the Battery Compartment	5
Battery Life	6

OPERATION

Operational Modes	6
-------------------	---

FEATURES

Kill Switch	7
Pressure Switch	7
Heavy Duty Braided Cable	8
Dual Settings	8
Retrofit	8

INSTALLATION

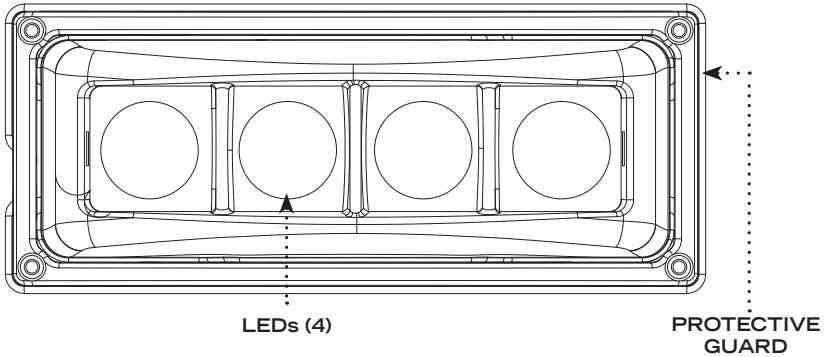
Shield Installation	9
---------------------	---

WARRANTY	10-11
-----------------	-------

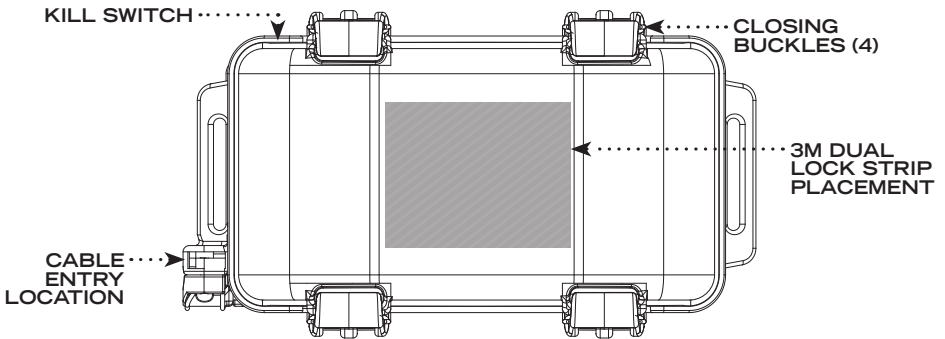
CONTACT FOXFURY	11
------------------------	----

TAKER B50 REFERENCE GUIDE

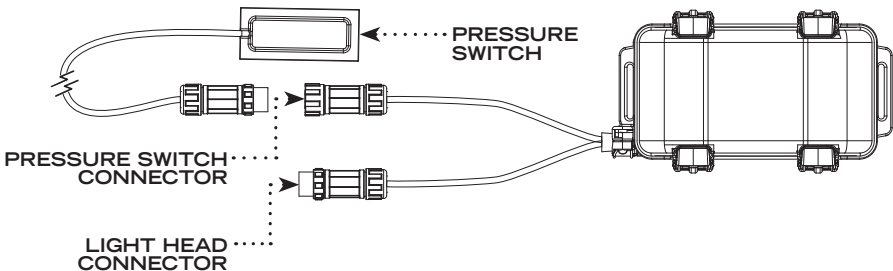
LIGHT HEAD



BATTERY COMPARTMENT (BACK SIDE—PLACED AGAINST SHIELD)



CONNECTING THE BATTERY COMPARTMENT



PHYSICAL CHARACTERISTICS

Please read below before using the Taker B50 as it relays beneficial operating and safety information.

SHIELD LIGHT (P/N 500-331-G)

DIMENSIONS	5.7 x 2.3 x 2.0 in (145 x 58 x 51 mm)
WEIGHT	24 oz (680 g)

WARNINGS



Do not stare into LEDs for long periods of time or from a close range (less than 2 ft (.06 m)).



FoxFury's Turbo-Strobe™ is purposely designed to induce disorientation. Prolonged viewing may produce vertigo or even vomiting.

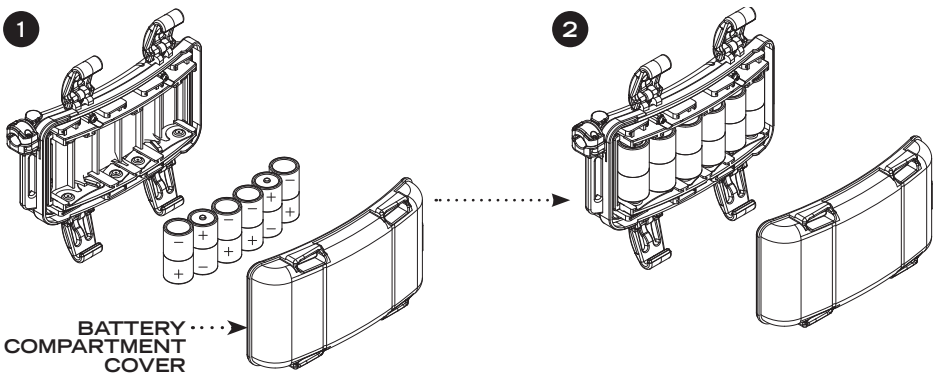
INCLUDED

-  3M Dual Lock Strips (P/N 51-042)
 -  Shield Light Cable Clips (P/N 61-041)
 -  Black Cable Sleeve (installed) (P/N 51-035)
 -  Pressure Switch (P/N 35-002)
 -  Square Pressure Switch (P/N 35-009)
-

BATTERIES

- ❖ The Taker B50 uses three (3) or six (6) CR123 batteries. As long as there are at least three (3) installed, (either on the left or right side) the light will function.
- ❖ Using three (3) CR123 batteries decreases the battery life by half, but does not effect the light intensity.
- ❖ Mixing of new and used, or different brand batteries is not recommended as this could lead to leakage or explosion.

BATTERY INSTALLATION AND REPLACEMENT



- 1 Open all four (4) of the Battery Compartment Tabs.
- 2 Insert six (6) CR123 batteries. Reference the plus (+) and minus (-) symbols located on the inside of the Battery Compartment for proper installation.

REASSEMBLING THE BATTERY COMPARTMENT

- 1 Once batteries are installed, test the light's performance by activating the Power/Mode Switch located on the top of the light.
- 2 Secure the Battery Compartment Cover by snapping all four (4) Battery Compartment Tabs. A 'click' should be heard as the snaps are shut.

❖ NOTE: Make sure the Battery Compartment is properly closed to maintain a water tight seal.

BATTERY LIFE

MODE	BATTERY LIFE	LUMENS
MOMENTARY	5 hours	1000
TURBO-STROBE™	8 hours	1000
CONTINUOUS ON	5 hours	1000

*Battery life may vary according to mode selected, battery quality and prevailing ambient conditions.

OPERATIONAL MODES

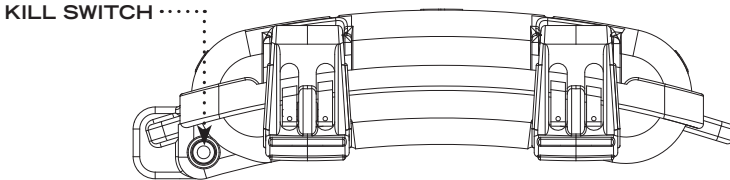
- ❖ For MOMENTARY mode: Press and hold the Power/Mode Switch. While the Switch is depressed, the light will operate continuously. When the user removes pressure from the Switch, the light will turn OFF.
- ❖ For TURBO-STROBE™ mode: Press the Power/Mode Switch two (2) times in rapid succession.
- ❖ For CONTINUOUS ON: Press the Power/Mode Switch three (3) times in rapid succession. The light will remain ON.
- ❖ For OFF or EXIT a mode: Press the Power/Mode Switch once. Then, continue following the directions above to progress to desired mode.

NOTE: The light does not retain the mode in memory. Once you turn the light ON, you will have to re-select the mode you desire.

FEATURES

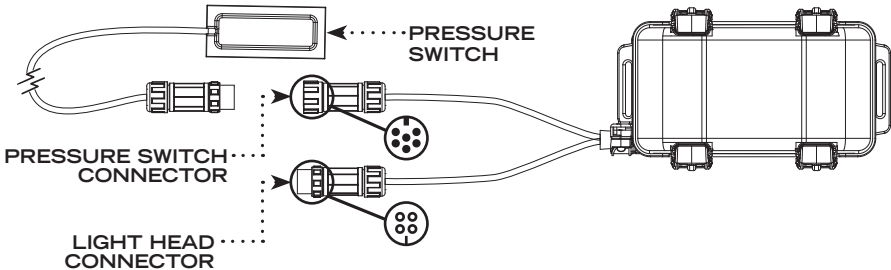
KILL SWITCH

The Taker B50 has a Kill Switch located on the TOP LEFT of the Battery Compartment. This mechanism is used to shut down or disable the shield light.



PRESSURE SWITCH (INCLUDED)

The Taker B50 includes a Pressure Switch that allows the user to place it anywhere on the shield. This makes it easier to access the Power/Mode Switch. The Pressure Switch can easily be attached to the shield via Velcro® or glue.



- ❖ To connect the Pressure Switch Connector to the Pressure Switch, simply confirm alignment, insert the connector, and tighten the Screw Cap.
- ❖ To connect the Light Head Connector to the Light Head, simply confirm alignment, insert the connector, and tighten the Screw Cap.

FEATURES (CONT'D)

HEAVY DUTY BRAIDED CABLE

The cable of the B50 is made of steel that protects the internal wiring. The Black Cable Sleeve (P/N 51-035—included) helps to protect the steel cable while providing a black covering.

DUAL SETTINGS

The Taker B50 includes two mode settings: the ON/OFF SETTING and the TACTICAL SETTING. The ON/OFF SETTING simply allows the Light Head to turn ON and OFF. The TACTICAL SETTING allows you to choose from three (3) different Operational Modes: Momentary, Continuous On, and Turbo-Strobe™. The Taker B50 comes in the TACTICAL SETTING.

To change from the TACTICAL SETTING to the ON/OFF SETTING:

- ❖ With the light turned OFF, press the Power/Mode Switch twice in rapid succession and hold for 10 seconds. The light should begin to flash. Once it begins flashing, it is now in the ON/OFF SETTING.

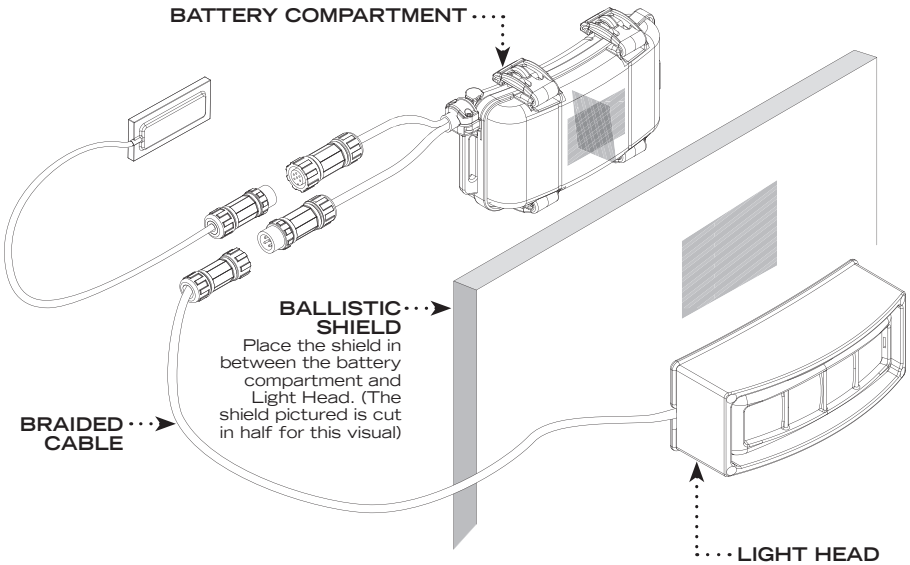
To change from the ON/OFF SETTING to the TACTICAL SETTING:

- ❖ With the light turned OFF, press and hold the Power/Mode Switch for 10 seconds. The light should begin to go through a slow Turbo-Strobe™ cycle and then turn OFF. It is now in the TACTICAL SETTING.

RETROFIT

The B50 can retrofit to most ballistic shields without drilling or permanent modification.

SHIELD INSTALLATION



- 1 Clean the surface of the shield where the Battery Compartment and Light Head will be placed.
- 2 Remove the protective plastic from the back of one of the provided 3M Dual Lock Strips (P/N 51-030). Place it on the Battery Compartment Cover (location can be seen in Step 1 of “Battery Installation and Replacement” on pg. 5). Then, place the Battery Compartment onto the back of the shield (at desired location) and firmly press down. Ensure the strips are perpendicular to each other to prevent detachment.
- 3 Remove the protective plastic from the other piece of the Lock Strips and place it on the back of the Light Head. Then, place the Light Head onto the front of the shield (at desired location) and firmly press down.
 - ❖ It is recommended that the Light Head is placed on the “upper-center” portion of the front of the shield, but it can be placed anywhere.
 - ❖ The Battery Compartment should be placed on the back of the shield. It can be placed anywhere as long as it is on the back of the shield.
 - ❖ Using the Shield Light Cable Clips (P/N 51-031) can help to secure the Braided Cable of the Light Head.

NOTE: The Pressure Switch also has a provided Lock Strip that allows the user to place it in desired location.

WARRANTY AND OTHER INFORMATION

PRODUCT DURABILITY



Meets requirements of NFPA 1971-8.6 (2013)

CARE/CLEANING

Your FoxFury product is a professional tool. Regular maintenance and care of your light will maximize performance for you. As needed, wash your FoxFury product using a soft washcloth, clean water and a mild soap. Be sure that all parts are reassembled securely before washing. When done, pat dry with a damp cloth.

AVAILABLE ACCESSORIES

- ❖ Black Cable Sleeve (2)
P/N 51-035
- ❖ Pressure Switch, P/N 35-002
- ❖ Square Pressure Switch
P/N 35-009

WARNINGS

FoxFury, LLC is not responsible for the incorrect use of any FoxFury Lighting product.

- ❖ When used for extended periods of time the light will become HOT to the touch. Please use care when operating.
- ❖ Lights are strong enough to cause damage to the human eye.
- ❖ Do not stare into LEDs for long periods of time or from a close range (less than 2 ft).
- ❖ FoxFury, LLC is not responsible for any injury or damage caused during the use of this product.
- ❖ Usage of this product must be supervised by an adult when it is being used by a minor.

- ❖ Any FoxFury product should be operated at speeds safe enough to maneuver around surrounding obstacles.
- ❖ Do not use under the influence of drugs or alcohol.

LIMITED LIFETIME WARRANTY

FoxFury, LLC (“FoxFury”) warrants this product to be free from defects in material for a lifetime of use except for batteries, LEDs, abuse, and normal wear. We will repair or replace this product should we determine it to be defective. This limited lifetime warranty excludes rechargeable batteries, chargers, switches, and electronics, which have a 2-year warranty with proof of purchase.

This limited lifetime warranty is given only to the original end user of the accompanying product. If you purchased a product from someone other than an authorized FoxFury reseller/distributor or if the product was used, (including but not limited to demo models, show models or refurbished product by someone other than FoxFury) prior to your purchase, you are not the Original Purchaser and the product that you purchased is not covered by this warranty. This limited warranty is VOID if this Product has been altered or modified in any way (including but not limited to attempted warranty repair without authorization from Foxfury and/or alteration/removal of the serial number). To expedite warranty concerns, we encourage the end user to register their FoxFury

Product at www.foxfury.com/pages/warranty-registration.

P65Warnings.ca.gov.

THIS IS THE ONLY WARRANTY, EXPRESSED OR IMPLIED, INCLUDING ANY WARRANTY OF MERCHANTABILITY OR FITNESS FOR A PARTICULAR PURPOSE. INCIDENTAL, CONSEQUENTIAL OR SPECIAL DAMAGES ARE EXPRESSLY DISCLAIMED EXCEPT WHERE SUCH LIMITATION IS PROHIBITED BY LAW.

You may have other specific legal rights which vary by jurisdiction. Go to www.foxfury.com/pages/warranty for a complete copy of the warranty. Retain your receipt for proof of purchase.

CONTACT FOXFURY

FoxFury, LLC

Oceanside, CA 92056 USA

Toll-Free: 844-FOXFURY

Tel: 760.945.4231

Fax: 760.433.3650

Email: service@FoxFury.com

Web: FoxFury.com

All FoxFury products are designed in Oceanside, CA. All FoxFury products are manufactured with the highest quality USA and foreign parts. Products are assembled in either FoxFury's controlled plant in Asia or the USA, under strict quality control.

CALIFORNIA PROPOSITION 65

This product can expose you to chemicals including Lead and DEHP, which are known to the State of California to cause cancer and birth defects or other reproductive harm. For more information go to www.

